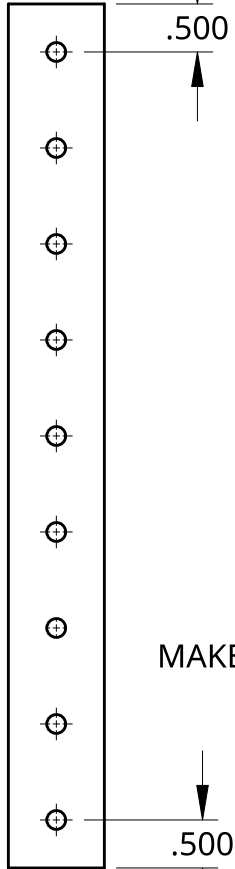


B

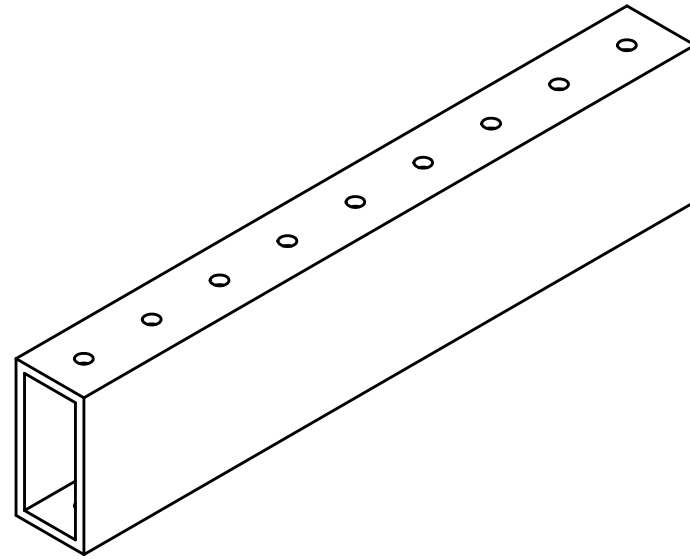
A

2

1



MAKE ONE OF THESE



B

A

2

1

UNLESS OTHERWISE SPECIFIED, DIMENSIONS ARE IN INCHES .XX = ±.0- .XXX = ±.00- .XXXX = ±.000- SURFACE FINISH $\sqrt{\quad}$		NAME	DATE		
DO NOT SCALE DRAWING	DRAWN	THOR RICHARDSON	01/26/2026	TITLE	
BREAK ALL SHARP EDGES AND REMOVE BURRS	CHECKED				
THIRD ANGLE PROJECTION	APPROVED				
	MATERIAL	FINISH		SIZE	DWG NO.
				A	
				SCALE	1:2
				WEIGHT	
				SHEET	1 of 1
				REV.	